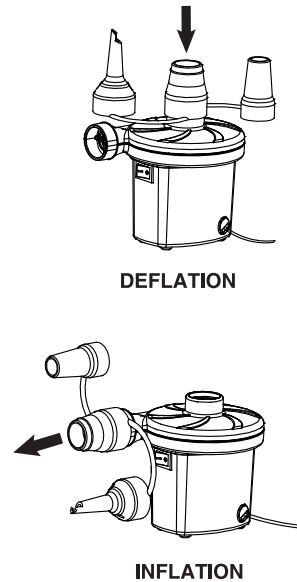
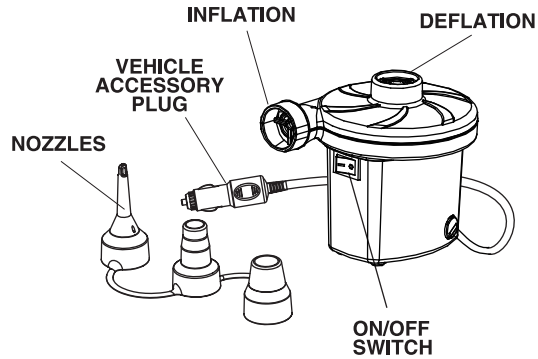


FEATURES



INFLATION

1. Open the valve on the product you wish to inflate.
2. Select the appropriate pump attachment.
3. Attach this to the inflation port on the pump. Slight pressure will be required.
4. Insert accessory plug into a 12 volt DC vehicle accessory outlet.
5. Turn your car on and turn the pump switch on to inflate the product to desired firmness.
The symbols on the switch mean “-” for ON, “O” OFF).
6. Close the valve on the product when inflation is complete.

DEFLATION

1. Open the valve on the product you wish to deflate.
2. Select the appropriate pump attachment.
3. Attach this to the deflation port on the pump. Slight pressure will be required.
4. Insert accessory plug into a 12 volt DC vehicle accessory outlet.
5. Turn your car on and turn the pump switch on to deflate the product.
6. Close the valve on the product when deflation is complete.

IMPORTANT

1. Power supply must be 12 volt DC vehicle accessory outlet.
2. This pump is intended to inflate/deflate items, such as inflatable boat, air mattress, etc. It is not designed for continuous use. When using the air pump, please rest for 5 minutes when inflating with big adaptor every 10 minutes, and rest for 5 minutes when inflating with small adaptor every 5 minutes.
3. This device is not intended for persons (including children) who have physical, sensory or mental disabilities, or who lack experience and knowledge, unless they are monitored during the operation of this device to ensure their safety. Children must be monitored during the operation of this device, and are not allowed to play with this device.
4. Do not obstruct the inflation/deflation port and keep them ventilated all the time.
5. For fast inflation and shorten the motor's working time, always use the suitable adapter according to the size of valve of inflatable item.

Note: On large items such as an inflatable boat, king-size air mattress, the pump should fit directly to the valve of inflatable item for fast inflation. Use the appropriate adapter for small valve, such as single-size air mattress, etc.

WARNING

1. To reduce the risk, contact qualified electrician to repair to replace the damaged cord immediately.
2. Carefully following the instructions on inflatable item when inflating. Never exceed recommended pressure, otherwise, serious injury might be caused by the bursting item.
3. Never leave pump unattended while the pump is in use.
4. Do not keep/use the pump in wet condition.
5. Never allow sand, small rocks, etc, to be sucked into inflation/deflation port when using the pump.
6. Never look inside or point the inflation/deflation port toward your eyes when the pump is working.
7. Never attempt to put hand or fingers into the inflation/deflation port at any time.
8. Do not run the pump continuously more than 5 minutes when using the smallest nozzle.